



Intellectual
Property
Office

Certificate of Registration for a UK Design

Design number: 6309418

Grant date: 19 September 2023

Registration date: 08 September 2023

This is to certify that,

in pursuance of and subject to the provision of Registered Designs Act 1949, the design of which a representation or specimen is attached, had been registered as of the date of registration shown above in the name of

Miss. Mokshada Chandrakant Utikar, Dr. Balaji Sopanrao Wakure, Miss. Preeti

Tanaji Mane, Miss. Dande Pradnyarani Arjun, Miss. Dhone Yogita Shivaji, Dr.

Pushpa Anantrao Karale, Dr. Mahesh Antram Karale

in respect of the application of such design to:

Smart Portable Pill Timer Reminder Medicine Dispenser with Alarm

International Design Classification:

Version: 14-2023

Class: 03 TRAVEL GOODS, CASES, PARASOLS AND PERSONAL BELONGINGS, NOT ELSEWHERE SPECIFIED

Subclass: 01 TRUNKS, SUITCASES, BRIEFCASES, HANDBAGS, KEYHOLDERS, CASES SPECIALLY DESIGNED FOR THEIR CONTENTS, WALLETS AND SIMILAR ARTICLES

Version: 14-2023

Class: 10 CLOCKS AND WATCHES AND OTHER MEASURING INSTRUMENTS, CHECKING AND SIGNALLING INSTRUMENTS

Subclass: 03 OTHER TIME-MEASURING INSTRUMENTS

Version: 14-2023

Class: 10 CLOCKS AND WATCHES AND OTHER MEASURING INSTRUMENTS, CHECKING AND SIGNALLING INSTRUMENTS

Subclass: 05 INSTRUMENTS, APPARATUS AND DEVICES FOR CHECKING, SECURITY OR TESTING

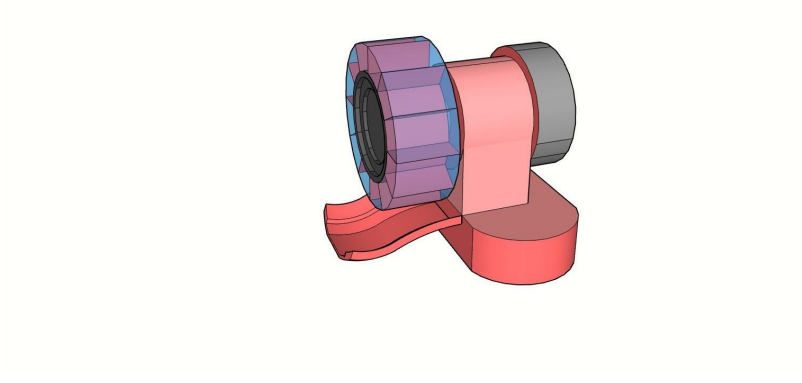
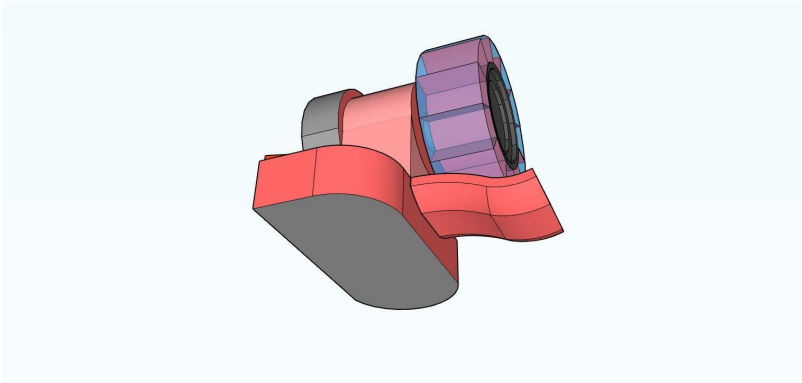
Adam Williams

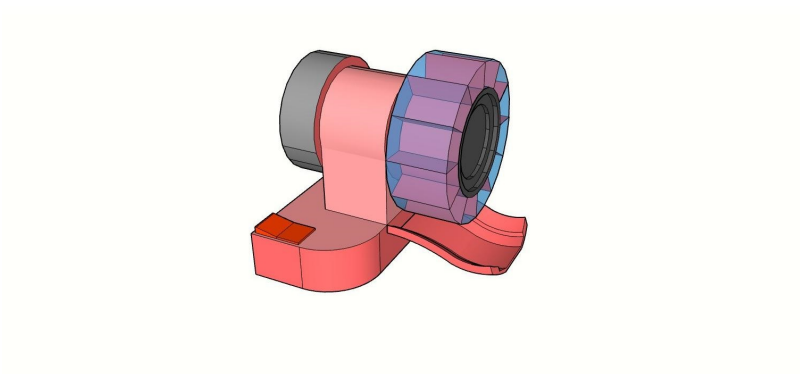
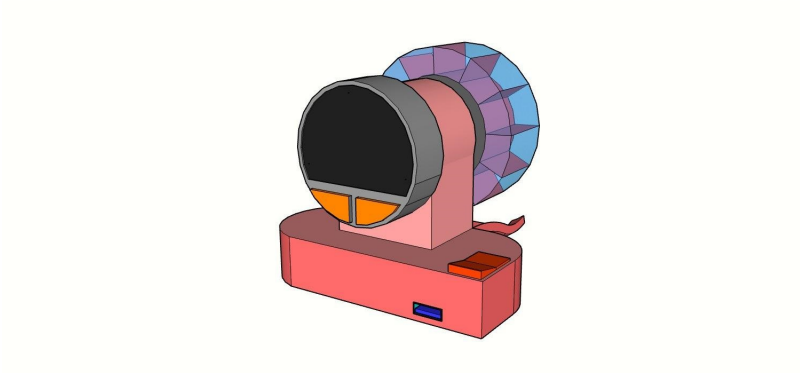
Comptroller-General of Patents, Designs and Trade Marks
Intellectual Property Office

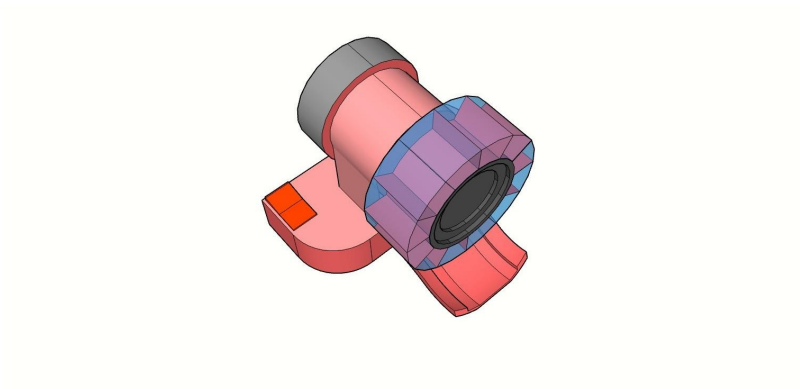
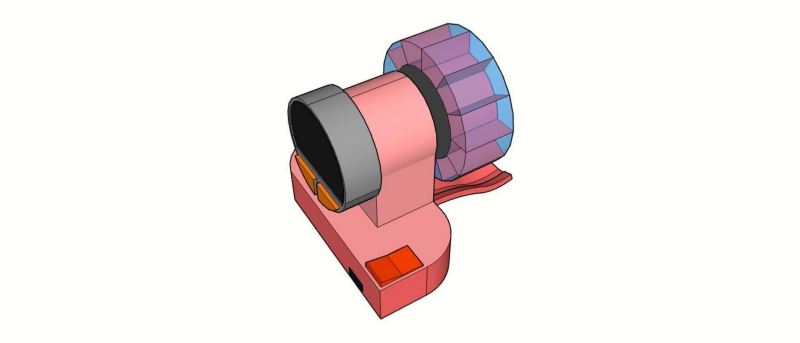
The attention of the Proprietor(s) is drawn to the important notes overleaf.

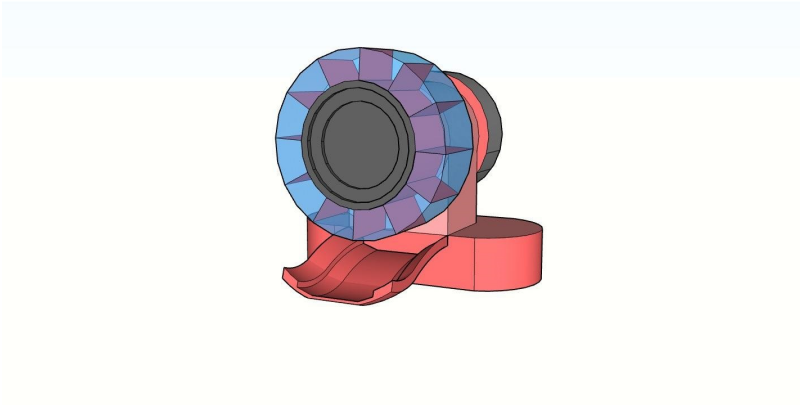


Representation of Designs









Intellectual Property Office is an operating name of the Patent Office

www.gov.uk/ipo